



ADAPTAPANEL APPLICATIONS



AN INTRODUCTION TO ADAPTAPANEL:

The SafeSmart Access AdaptaPanel is a heavy-duty edge protection system which has been designed, engineered, and tested to be used on both civil and construction projects. The mesh panels easily slide into place and are a game changer on construction sites for both safety and efficiency of install. This system is gaining popularity in NZ and has 'taken off' in Australia over the last few years.

ADAPTAPANEL VERSATILITY

The AdaptaPanel system is extremely versatile and can be used with the majority of the edge protection posts and brackets in the SafeSmart Access range. From attaching to and I-Beam through to fixing into concrete lifting eyes, there's not many surfaces this system can't attach to:

- Bolt to concrete slabs, parapet walls, hard surfaces using our standard vertical and horizontal bolt down mounts
- Clamp to I-beams & perimeter beams using our I-Klump bracket.
- Clamp to sheet piles using our Sheet Pile Post
- Timber structures – Fix into CLT/ Timber structures
- Clamp to parapets and slab edges with the King Klumps
- Connect to swift lifts in prefabricated concrete products with no screws required
- Attach to Sheer Stud's on structural beams using our shear stud connections



RETHINKING EDGE PROTECTION:

ARE TWO GUARDRAILS ENOUGH PROTECTION?

With safety standards and risk elimination programs steadily increasing it is noticeable that fall protection on most sites is insufficient as the number of drops are staggeringly high on most projects. A tier 1 construction company recently reported 150 drops on a major project in Auckland. Every drop from a site can have a deadly effect and this is why leading construction companies are taking the initiative and looking for better edge protection solutions.

Traditional Tube & Clip edge protection with a toeboard is no longer adequate on high profile projects. This is evident through the number of drops on projects. Switching to a mesh panel system such as AdaptaPanel reduces the chances of a drop or material being blown or kicked off significantly and almost completely eliminating the risk with a higher panel system (2m-3m Panel).

GETTING AHEAD OF THE CURVE

There is opportunity to get a head of the curve and be one of the early adopters of a full mesh panel system in New Zealand. The AdaptaPanel system is already a popular system in Australia and well known in the industry and we are seeing this trend coming to NZ. Safeguarding your site with AdaptaPanel means exclusion zones on the ground can be eliminated increasing productivity on site, particularly where there isn't much space. Protecting your site with a mesh solution also portrays a good image for your company adopting safer edge protection for your workers and the public. AdaptaPanel also looks very smart and tidy improving the aesthetics of the project.

FOR THE MAIN CONTRACTOR

The benefit of AdaptaPanel and the majority of SafeSmart's edge protection products is the pre-engineered designs and compliance with NZ standards. This reduces the need for regular sign off from ticketed scaffolders and can even be installed/self performed by your own workers instead of getting a scaffolding company in. SafeSmart's Edge protection systems are also very versatile and can be attached to almost any surface from I-Beams to Concrete Anchors in precast concrete structures.

FOR THE SCAFFOLDER

While some building contractors may invest in their own edge protection, a lot of these companies prefer to outsource edge protection to the scaffolder. As a scaffolding company looking to grow, having a full mesh system like AdaptaPanel is a massive competitive advantage in a industry that is looking for improvements in edge protection. The AdaptaPanel system is also easy to install and will reduce the labour hours on jobs where technical tube and clip edge protection is traditionally used.

THE ALTERNATIVE?

Another alternative to standard 2 handrails is using vertical safety nets. We have recently noticed a huge demand spike for these by many building contractors to provide full floor-to-floor containment for weather and fall protection. We have a range of safety nets including triple layered netting that can be retracted from the edge to load goods in or work on the face before sliding the net back into place. Start a conversation with us to find out more and discuss how you can improve safety and efficiency all in one and add to your competitive edge in the market.



Code	Description
210842	AdaptaPanel Edge Protection Post - 1.0mH
210843	AdaptaPanel Edge Protection Post - 1.5mH
210875	AdaptaPanel Edge Protection Post - 2.0mH
210876	AdaptaPanel Edge Protection Post - 3.0mH
210965	AdaptaPanel Edge Protection Cranked Post - 2.0mH
210960	AdaptaPanel Edge Protection Post Socket Type - 1.5mH
210961	AdaptaPanel Edge Protection Post Socket Type - 2.0mH
210962	AdaptaPanel Edge Protection Socket Baseplate - 180mm x 180mm (Excludes Socket)
210844	AdaptaPanel Mesh Fence Panel - 0.5mH x 1.0mL
210845	AdaptaPanel Mesh Fence Panel - 0.5mH x 2.0mL
210846	AdaptaPanel Mesh Fence Panel - 1.0mH x 1.0mL
210847	AdaptaPanel Mesh Fence Panel - 1.0mH x 2.0mL
210870	AdaptaPanel Edge Protection Face Mount Post - 1.0mH
210871	AdaptaPanel Edge Protection Face Mount Post - 1.5mH
210872	AdaptaPanel Edge Protection Face Mount Post - 2.0mH
210964	AdaptaPanel Mesh Fence Panel with Sliding Windows 1.0mH x 2.0mL

- Temporary and semi-permanent slab edge protection
- Heavy-duty framed panel for longevity in harsh site conditions
- Posts bolt to slab edge, and slide-in panels are secured with a fixing bolt
- Sliding safety latches retain mesh panels, preventing unintentional lift-off
- The 1.5mH & 2.0mH panels are ideal for high rise construction and to assist with PEZ (Perimeter Exclusion Zone)
- Panels may be stacked for easy storage and transportation
- Designed to meet relevant design and load requirements of AS4994.1:2009 "Temporary edge protection" standard and AS/NZS 1657:1992



BOLT DOWN APPLICATION

The most common fixing of AdaptaPanel is a standard bolt down which can be attached to the largest range of surfaces. Whether it's flat or vertical surfaces, this method ensures a secure and stable connection. AdaptaPanel has been pre-engineered and doesn't include any scaffolding components which means this system does not need to be installed by a scaffolder or a specialist.

ADAPTAPANEL FACE MOUNT POST



ADAPTAPANEL SLAB MOUNT POST



SHEET PILE WITH ADAPTAPANEL

Our Sheet Pile Post is specifically crafted to provide edge protection on top of sheet piles, enhancing safety during sheet pile installations. The Sheet Pile post is pre-engineered and compliant and can be used in conjunction with our AdaptaPanel system for full mesh protection along the top of sheet pile.

- Eliminates any requirement to fix into the sheet pile
- Designed to clamp onto steel sheet piles up to 19mm thick using 2 x compression bolts to tighten against the sheet pile
- Can also be used to attach to I-beams
- Use the AdaptaPanel brackets to create full steel-mesh edge protection



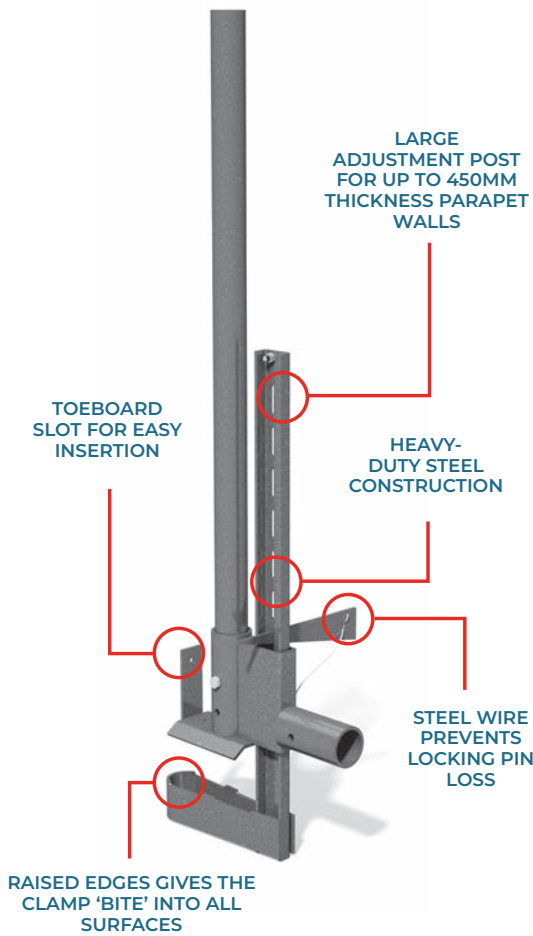
ADAPTAPANEL WITH CLT/TIMBER STRUCTURES

Adaptapanel's edge protection system seamlessly integrates into Cross-Laminated Timber (CLT) and other timber structures. This adaptability ensures the system can be tailored to fit the unique requirements of timber-based constructions, offering reliable edge protection while maintaining the structural integrity of the building.



ADAPTAPANEL WITH KING KLAMPZ

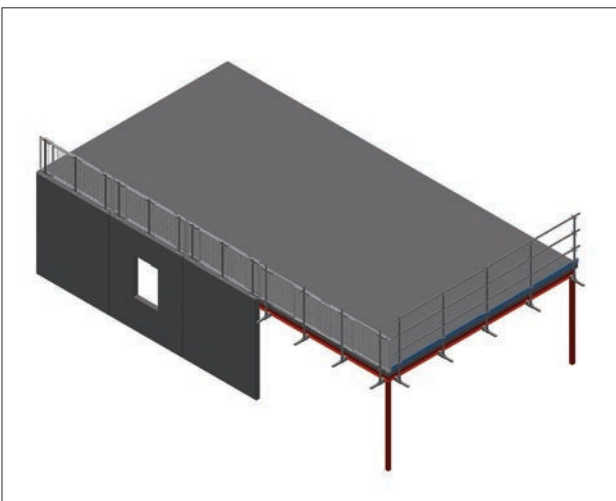
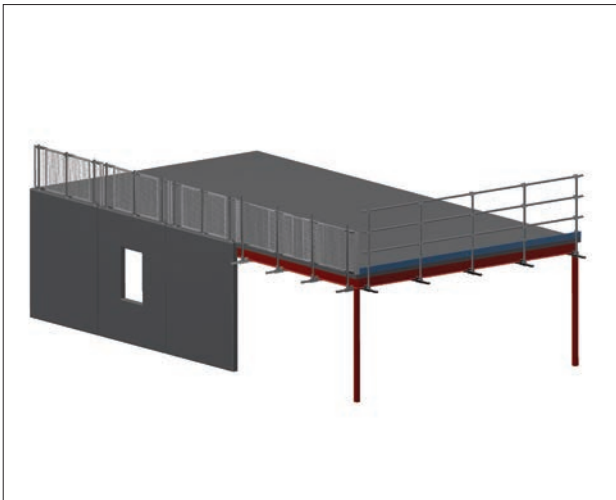
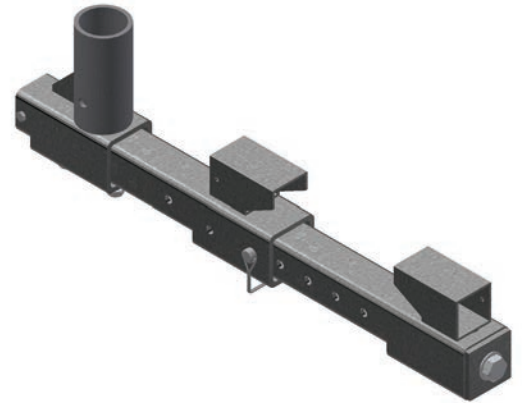
SafeSmart's King Klampz brackets which are primarily used with standard tubes and clip handrails can be used in conjunction with the AdaptaPanel System. King Klampz's provide an effective way to connect to parapets and slab edges. This system does not need to be installed by a scaffolder or a specialist and can be used in a wide range of applications where parapets and slab edges are present, ensuring comprehensive edge protection along the full face of an edge even where the fixing requirements change.



ADAPTAPANEL WITH I-KLAMP

The I-Klump is designed and pre-engineered secure to the bottom of an I-Beam and punch up a tube from this. Most of the current edge protection methods for I-Beams in NZ are not compliant to standards. This product is compliant to the relevant NZ standards and can be used in conjunction with the AdaptaPanel system to attach to I-Beams. This system ensures reliable, compliant and uniform edge protection where I-Beams are present, providing an additional layer of safety without requiring complex installation methods.

- Strongest I-Beam Edge Protection System
- Designed for commercial and civil construction companies working with steel I-beams
- Efficient installation compared to traditional methods such as tube and clip
- Adapts to fit a range of I-beam sizes
- Tested up to a 1.8m high tube
- Engineered and exceeds the safety standards for edge protection
- Includes post socket to drop in a bolt-on scaffold post for the handrail
- Tubular handrail for tube & coupler connection



NON-DRILL SYSTEM USING LIFTING ANCHORS

The Non-Drill System offers a hassle-free installation process by allowing you to attach the edge protection system to concrete lifting eyes without the need for screws. This feature simplifies the setup process, saving time and effort during installation while maintaining a secure connection. The Non-Drill Posts are often used with AdaptaPanel's to create full mesh edge protection on high rises, bridges and other scenarios where concrete lifting eyes are present

NON-DRILL AdaptaPanel
Bracket – for use with
AdaptaPanel Panels



NON-DRILL SYSTEM USING SHEER STUD CONNECTION

Our Non-Drill System can be used to securely link the edge protection system to Sheer Studs using our innovative non-drill connections. This feature expands the system's applicability, allowing it to be used in a broader range of construction scenarios, enhancing its versatility and adaptability and the likelihood of future utilisation of the product on multiple projects.

- Shear Stud base connector is 250mm high to suit 3 shear stud heights of 150mm, 175mm and 225mm allowing you to reuse them for bridges with varying stud sizes
- Utilise the 5t claw anchor to attach to shear studs



ADAPTAPANEL CONFIGURATIONS

**BOTH SLAB
MOUNT AND
FACE MOUNT
POSTS
AVAILABLE
IN ALL SIZES**

1m Post



1.5m Post



2.0m Post

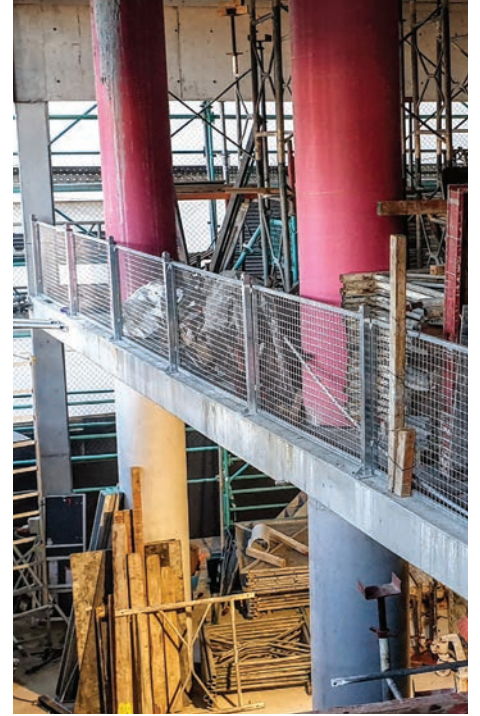


3.0m Post



ADAPTAPANEL 'ON-SITE' GALLERY:

1.0mH
Post



1.5mH
Post



ADAPTAPANEL 'ON-SITE' GALLERY:

2.0mH
Post



3.0mH
Post



ADAPTAPANEL 'ON-SITE' GALLERY:

Combined
Posts





TERMS & CONDITIONS

1. Copyright SafeSmart Access 2022. ABN 20 024 050 645 - No part of this publication may be reproduced without the written permission of SafeSmart Access.
2. SafeSmart Access has made every effort to portray accurate descriptions and information within this catalogue. No liability is accepted in the event of errors or omissions.
3. Where specifications are provided they are intended as a guide only. Please enquire from our staff for full details of product at time of enquiry.
4. Products may be deleted, amended, substituted or changed at the sole discretion of SafeSmart Access.
5. The customer/user must establish the suitability of the product purchased for their own safe use.
6. Trade Marks. Where any registered trade mark has been used it is with recognition of the owner's right.
7. Any measurements shown are intended as a guide only. Please confirm any critical measurement with SafeSmart Access.
8. Compliance to standards may be in part or whole subject to the nature of the product.



NZ 0800 000 448

www.safesmartaccess.co.nz